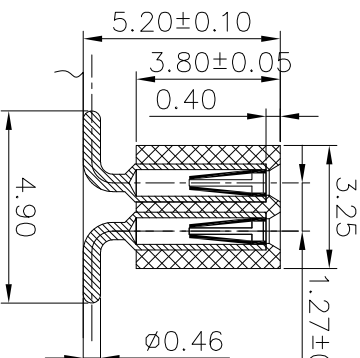
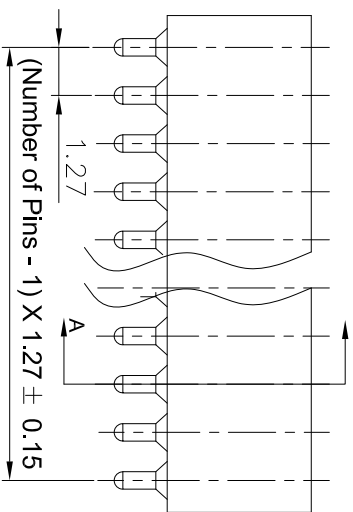
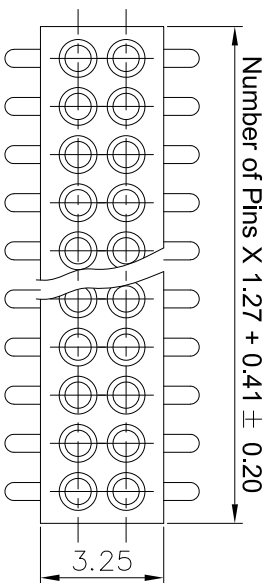


REV. NO.	REVISION NOTE	REVISER	DATE
V0	NEW DRAWING		2023/02/15

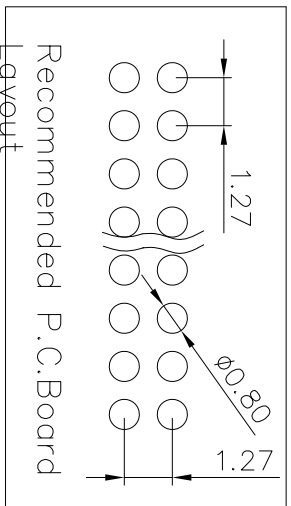
客户编码

XX-XXX



Technical Specs:

- Insulator: Black glass filled polyester PA46-GF30-FR
- Flammability: UL 94V-0
- Sleeve: Brass CuZn36Pb3 (C36000)
- Contact clip (6 finger): Beryllium copper (C17200)
- Mating pins: Outside Diameter 0.38 to 0.50 mm
- Forces: (polished steel gauge Outside Diameter 0.41 mm)
- Insertion: 0.5 N typ.
- Withdrawal: 0.2 N typ.
- Mechanical life: min 500 cycles
- Rated current: 1 A
- Contact resistance: max 20 Milliohms
- Dielectric strength: min 500 V RMS



		深圳市新世联电子有限公司 TEL: +86 (755) 29912370 FAX: 29912372	
Http://www.ciscomn.com		圓孔排母1.27mm 双排 立贴 (塑高3.8 塑宽3.25)	
Tolerance Unless Otherwise Specified		Title	
.X ~ ±0.30	⊕	Units	Scale
.XX ~ ±0.25	∅	mm	1:1
.XXX ~ ±0.20	∠	Date	Reviewed By
Angle ~ ± 3°		2023/02/15	LiuYang
		REV NO.	Material No.
		V0	XXXXX-XXXXX-XXX-XX
		Date	Approval By
			Date